

# ZGL120088



### Constant Current Discharge Rating Amperes @ 25°C (77°F)

FV/Time	5M	10M	15M	30M	1HR	2HR	3HR	4HR	5HR	8HR	10HR	20HR
	387.1	285.3	244.8	159.0	95.25	53.2	38.55	31.80	25.8	18.7	15.30	7.87

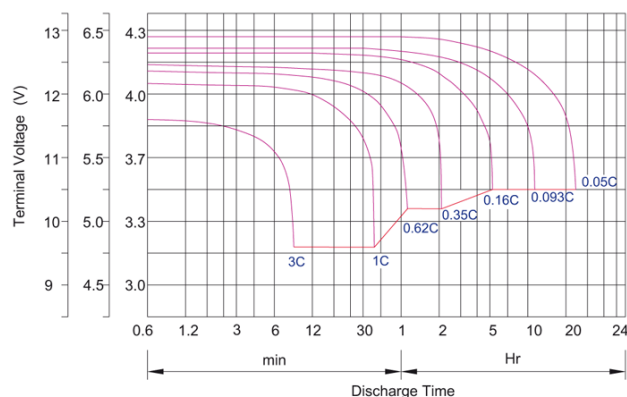
### Characteristics

Capacity 25°C (77°F)	20 hour rate 5 hour rate	160AH 136.0AH
Internal Resistance	Full charged Battery 25°C (77°F)	4mΩ
Capacity affected by Temperature (20 hour rate)	40°C (104°F) 25°C (77°F) 0°C (32°F) -10°C (14°F)	107% 100% 76% 66%
Self-Discharge	Batteries can be stored for more than 6 months at 25°C. Self-discharge ratio less than 3% per month at 25°C. Please charge batteries before using.	
Standard Terminal	M8	
Max. Discharge Current 25°C (77°F)	1500A (5s)	
Final Discharge Voltage V/cell	1.75V	1.70V
Discharge Current (A)	(A) ≤ 0.2C	0.2 < (A) < 1.0C
Charging (Constant Voltage)	Cycle Initial Charging Current 45A Or Small 14.6V~14.8V/ 25°C (77°F) Float 13.6V~13.8V/ 25°C (77°F)	
Container Material	A.B.S. (UL94-HB), Flammability resistance of UL94-V1 can be available upon request.	

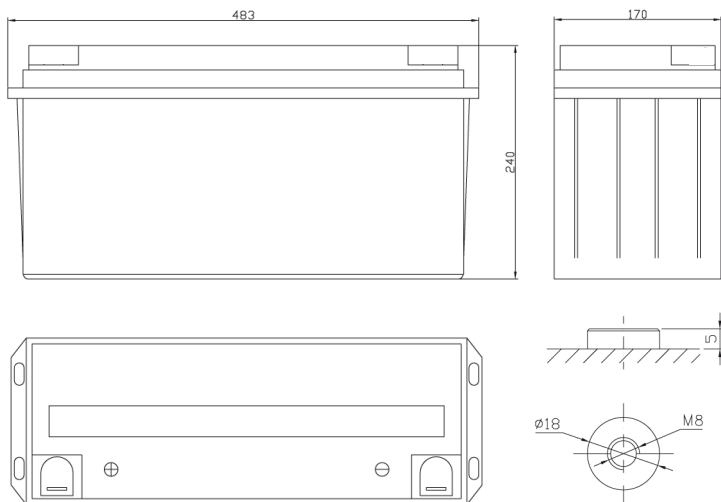
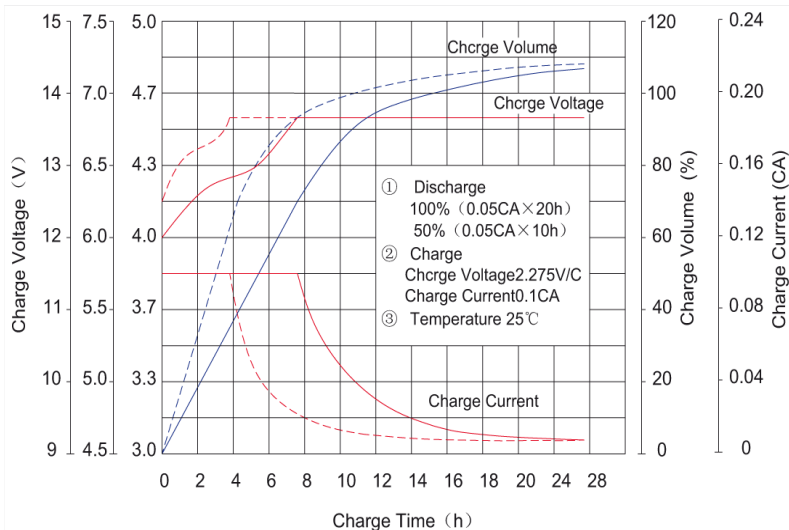
### Specifications

Nominal Voltage	12V	
Rated Capacity (20 hour rate)	160Ah	
Dimension	Total Height (with terminals)	240mm (9.44 inches)
	Height	240mm (9.44 inches)
	Length	483mm (19.01 inches)
	Width	170mm (6.69 inches)
Weight	Approx. 44.5 kg (97.9lbs)	

### Discharge characteristics 25°C (77°F)



### Charge characteristic Curve for standby use



This information is generally descriptive only and is not intended to make or imply any representation, guarantee or warranty with respect to any cells and batteries. Cell and battery designs/specification are subject to modification without notice. Contact U.B.S. UNION BATTERY SERVICE for the latest information.

DIVISION OF



[www.zenithdcbattery.com](http://www.zenithdcbattery.com)