

BATTERIA SIGILLATA AGM DEEP-CYCLE (USO CICLICO)
DEEP-CYCLE AGM MAINTENANCE FREE BATTERY

ZL060115



CHARACTERISTIC / CARATTERISTICHE

| | | |
|--|----------------------------------|---|
| Volt | 6V | |
| Capacity / Capacità | 20h | 245Ah |
| | 5h | 200Ah |
| Internal Resistance | Full Charged Battery 25°C ≤3.0mΩ | |
| Capacity affected by Temperature / Effetti delle temperature sulla capacità | 40°C | 102% |
| | 25°C | 100% |
| | 0°C | 85% |
| Self-Discharge 25°C Capacity / Autoscarica a 25°C | after 3 month storage | 90% |
| | after 6 month storage | 80% |
| | after 12 month storage | 62% |
| Charge cycle / Ciclo di carica | IU + h | "In" max. 45Amp; "V1" 2.43V/cell |
| | IUIa | "In" max. 45Amp; "V1" 7.2Volt; "If" 2Amp. |

CHARACTERISTIC / CARATTERISTICHE

| | | | |
|--|-----|-------|-----------|
| Battery dimensions / Dimensioni batteria | | | |
| L/L | W/P | H/A | Tot - H/A |
| 245 | 187 | 275 | 275 |
| Box Dimensions / Dimensioni scatola | | | |
| L/L | W/P | H/A | |
| 258 | 201 | 335 | |
| USA Type | | DIN | |
| Weight / Peso | | 30 Kg | |
| Terminal / Terminali | | M8 | |
| Case / Contenitore | | ABS | |

Amp. (25°C)

| F.V/Time | 5min | 10min | 15min | 30min | 45min | 1h | 2h | 3h | 5h | 8h | 10h | 20h |
|----------|-------|-------|-------|-------|-------|-------|------|------|------|------|------|-------|
| 1.60V | 534.6 | 340.8 | 289.6 | 184.9 | 135.9 | 124.7 | 79.5 | 55.7 | 37.9 | 24.9 | 22.3 | 12.4 |
| 1.65V | 524.9 | 334.6 | 284.3 | 181.5 | 133.4 | 122.5 | 78.0 | 54.7 | 37.2 | 24.5 | 21.9 | 12.1 |
| 1.70V | 515.2 | 328.4 | 279.0 | 178.2 | 130.9 | 120.2 | 76.6 | 53.7 | 36.5 | 24.0 | 21.5 | 11.9 |
| 1.75V | 505.4 | 322.2 | 273.8 | 174.8 | 128.5 | 117.9 | 75.2 | 52.7 | 35.8 | 23.6 | 21.1 | 11.7 |
| 1.80V | 486.0 | 309.8 | 263.3 | 168.1 | 123.5 | 113.4 | 72.3 | 50.6 | 34.4 | 22.7 | 20.3 | 11.25 |

Watts (25°C)

| F.V/Time | 5min | 10min | 15min | 30min | 45min | 1h | 2h | 3h | 5h | 8h | 10h | 20h |
|----------|--------|-------|-------|-------|-------|-------|-------|-------|------|------|------|------|
| 1.60V | 1029.1 | 656.1 | 557.4 | 355.9 | 261.6 | 240.1 | 153.0 | 107.2 | 72.9 | 48.0 | 42.9 | 23.8 |
| 1.65V | 1010.4 | 644.1 | 547.3 | 349.4 | 256.8 | 235.8 | 150.2 | 105.2 | 71.6 | 47.2 | 42.1 | 23.4 |
| 1.70V | 991.7 | 632.2 | 537.2 | 343.0 | 252.1 | 231.4 | 147.5 | 103.3 | 70.2 | 46.3 | 41.3 | 23.0 |
| 1.75V | 973.0 | 620.3 | 527.0 | 336.5 | 247.3 | 227.0 | 144.7 | 101.4 | 68.9 | 45.4 | 40.5 | 22.5 |
| 1.80V | 935.6 | 596.4 | 506.8 | 323.5 | 237.8 | 218.3 | 139.1 | 97.5 | 66.3 | 43.7 | 39.0 | 21.7 |

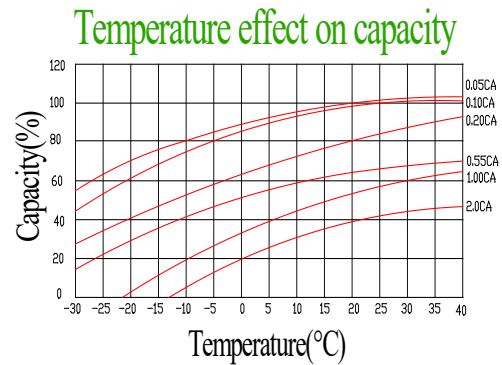
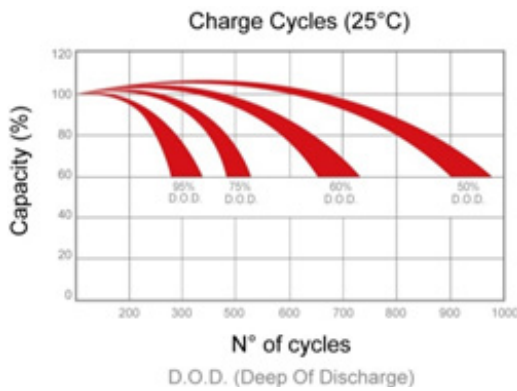
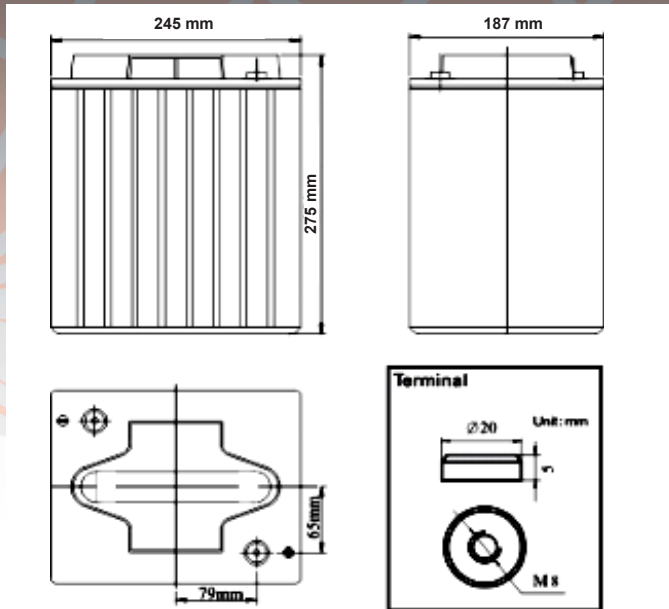
This information is generally descriptive only and is not intended to make or imply any representation, guarantee or warranty with respect to any cells and batteries. Cell and battery designs/specifications are subject to modification without notice. Contact U.B.S. UNION BATTERY SERVICE for the latest information.

Le informazioni contenute in questa scheda tecnica sono solo descrittive e indicative, non sono una garanzia. U.B.S. UNION BATTERY SERVICE si riserva il diritto di aggiornarle/modificarle senza preavviso.

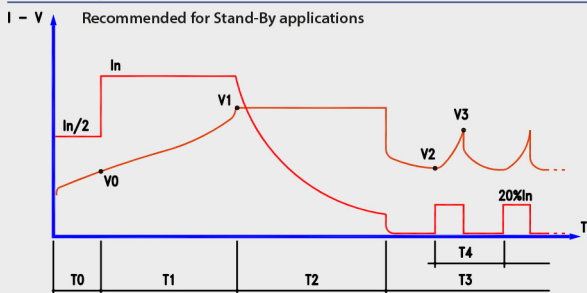


www.unionbatteryservice.it

ZL060115



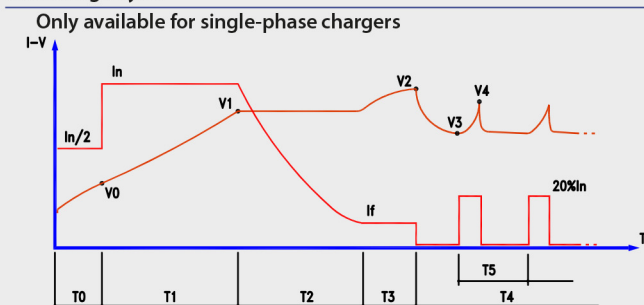
Charge cycle for sealed batteries (GEL/AGM): IU + holding



- In = PROGRAMMED CAPACITY/10
- V0 = 1,90 V/CELL
- V1 = PROGRAMMED VALUE
- V2 = 2.10 V/CELL
- V3 = 2.30 V/CELL
- T0 = MAX. 1 HR
- T1 = MAX. 12 HRS
- T2 = T1 (MIN. 2-MAX. 5 HRS)
- T3 = UNLIMITED

“IUla” charge cycle is always recommended in case of more than 2 batteries in series
Ciclo di carica “IUla” è sempre necessario qualora ci siano più di 2 batterie collegate in serie.

IUla charge cycle



- In = PROGRAMMED VALUE (CHARGE I)
- If = PROGRAMMED VALUE (FINAL I)
- V0 = 1,90 V/CELL
- V1 = PROGRAMMED VALUE (THRESHOLD V)
- V2 = PROGRAMMED VALUE (LOCK V)
- V3 = 2.10 V/CELL
- V4 = 2.30 V/CELL
- T0 = MAX. 1 HR
- T1 = MAX. 12 HRS
- T2 = MAX. T1+6 HRS OR I = IF
- T3 = MAX. 4 HRS
- T4 = UNLIMITED
- T5 = MAX. 6 HRS