

BATTERIA SIGILLATA AGM DEEP-CYCLE (USO CICLICO)
DEEP-CYCLE AGM MAINTENANCE FREE BATTERY

ZL1201105



CHARACTERISTIC / CARATTERISTICHE

Volt	12V	
Capacity / Capacità	20h	140Ah
	5h	115Ah
Internal Resistance	Full Charged Battery 25°C ≤4.5mΩ	
Capacity affected by Temperature / Effetti delle temperature sulla capacità	40°C	102%
	25°C	100%
	0°C	85%
Self-Discharge 25°C Capacity / Autoscarica a 25°C	after 3 month storage	90%
	after 6 month storage	80%
	after 12 month storage	62%
Charge cycle / Ciclo di carica	IU + h	"In" max. 27Amp; "V1" 2.43V/cell
	IUIa	"In" max. 27Amp; "V1" 7.2Volt; "If" 1Amp.

CHARACTERISTIC / CARATTERISTICHE

Battery dimensions / Dimensioni batteria			
L/L	W/P	H/A	Tot - H/A
340	172	280	285
Box Dimensions / Dimensioni scatola			
L/L	W/P	H/A	
353	186	345	
USA Type		DIN	
Weight / Peso		39,5 Kg	
Terminal / Terminali		M8	
Case / Contenitore		ABS	

Amp. (25°C)

F.V/Time	5min	10min	15min	30min	45min	1h	2h	3h	5h	8h	10h	20h
1.60V	320.8	204.5	173.7	110.9	81.5	74.8	47.6	33.4	22.7	15.0	13.4	7.42
1.65V	314.9	200.8	170.6	108.9	80.0	73.5	46.7	32.8	22.3	14.7	13.1	7.29
1.70V	309.1	197.0	167.4	106.9	78.6	72.1	45.8	32.2	21.9	14.4	12.9	7.15
1.75V	303.3	193.3	164.3	104.9	77.1	70.8	45.0	31.6	21.5	14.2	12.6	7.02
1.80V	291.6	185.9	158.0	100.8	74.1	68.0	43.3	30.4	20.7	13.6	12.2	6.75

Watts (25°C)

F.V/Time	5min	10min	15min	30min	45min	1h	2h	3h	5h	8h	10h	20h
1.60V	617.5	393.6	334.5	213.5	156.9	144.1	91.6	64.3	43.7	28.8	25.7	14.3
1.65V	606.2	386.5	328.4	209.7	154.1	141.5	89.9	63.1	42.9	28.3	25.3	14.0
1.70V	595.0	379.3	322.3	205.8	151.2	138.8	88.3	62.0	42.1	27.8	24.8	13.8
1.75V	583.8	372.2	316.2	201.9	148.4	136.2	86.6	60.8	41.4	27.2	24.3	13.5
1.80V	561.3	357.8	304.1	194.1	142.7	131.0	83.3	58.5	39.8	26.2	23.4	13.0

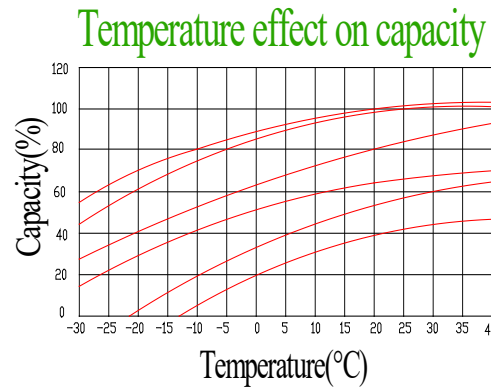
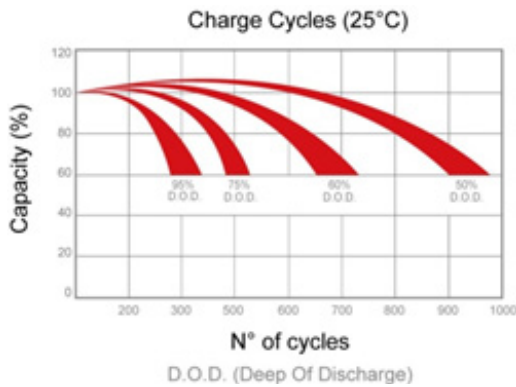
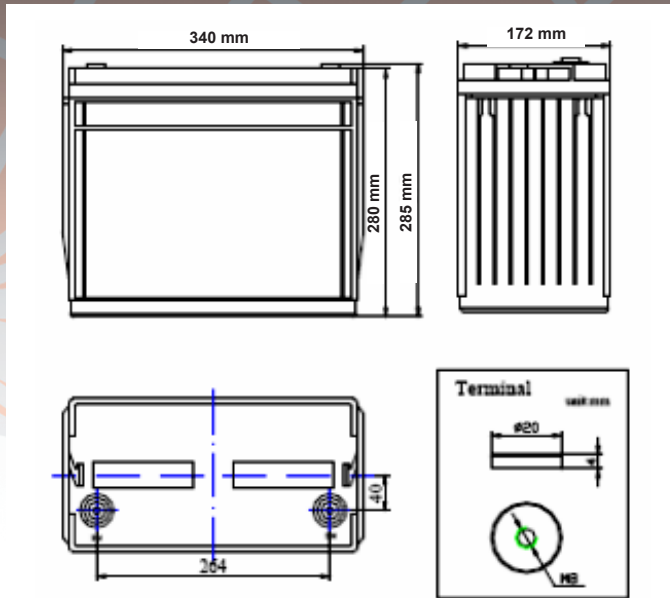
This information is generally descriptive only and is not intended to make or imply any representation, guarantee or warranty with respect to any cells and batteries. Cell and battery designs/specifications are subject to modification without notice. Contact U.B.S. UNION BATTERY SERVICE for the latest information.

Le informazioni contenute in questa scheda tecnica sono solo descrittive e indicative, non sono una garanzia. U.B.S. UNION BATTERY SERVICE si riserva il diritto di aggiornarle/modificarle senza preavviso.

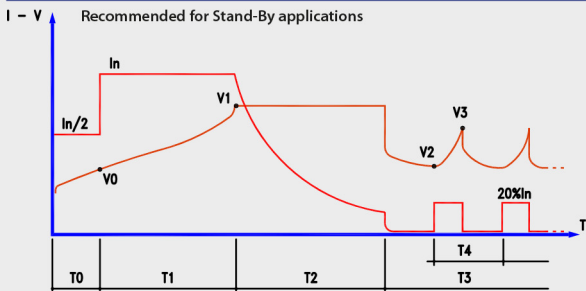


www.unionbatteryservice.it

ZL1201105



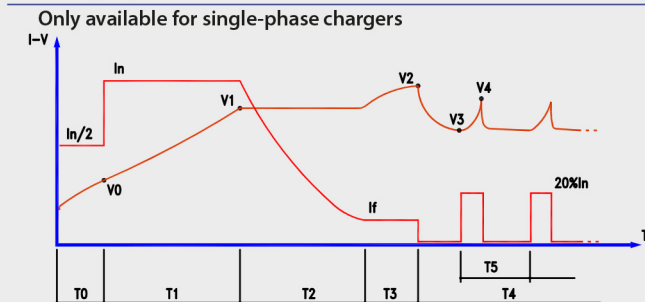
Charge cycle for sealed batteries (GEL/AGM): IU + holding



- In = PROGRAMMED CAPACITY/10
- V0 = 1,90 V/CELL
- V1 = PROGRAMMED VALUE
- V2 = 2.10 V/CELL
- V3 = 2.30 V/CELL
- T0 = MAX. 1 HR
- T1 = MAX. 12 HRS
- T2 = T1 (MIN. 2-MAX. 5 HRS)
- T3 = UNLIMITED

“IU1a” charge cycle is always recommended in case of more than 2 batteries in series
Ciclo di carica “IU1a” è sempre necessario qualora ci siano più di 2 batterie collegate in serie.

IU1a charge cycle



- In = PROGRAMMED VALUE (CHARGE I)
- If = PROGRAMMED VALUE (FINAL I)
- V0 = 1,90 V/CELL
- V1 = PROGRAMMED VALUE (THRESHOLD V)
- V2 = PROGRAMMED VALUE (LOCK V)
- V3 = 2.10 V/CELL
- V4 = 2.30 V/CELL
- T0 = MAX. 1 HR
- T1 = MAX. 12 HRS
- T2 = MAX. T1+6 HRS OR I = IF
- T3 = MAX. 4 HRS
- T4 = UNLIMITED
- T5 = MAX. 6 HRS